

Slim Series System Windows

Re-Inventing Square Windows

GEETA
SERIES



25x54mm

- Available in 2track & 3track shutter
- Maximum Shutter Dimensions: 900 x 2000mm
- Slim Interlock Reinforcement – 21mm, it can go upto 2KPA.
- Maximum Glass Thickness – 5mm /6 mm

27x60mm

- Shutter size upto 1200x2200mm.
- Maximum glass thickness of 18mm (Option of single & double insulated glass).
- Available in 2track, 3track & 4track frames.

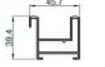

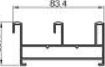


35x75mm

- Available in 2track, 3track & 4track frames.
- Shutter Size upto 1500x2600mm.
- Maximum glass thickness of 23mm (Option of single & double insulated glass).
- Slim Interlock Reinforcement – It can go upto 1.5KPA.

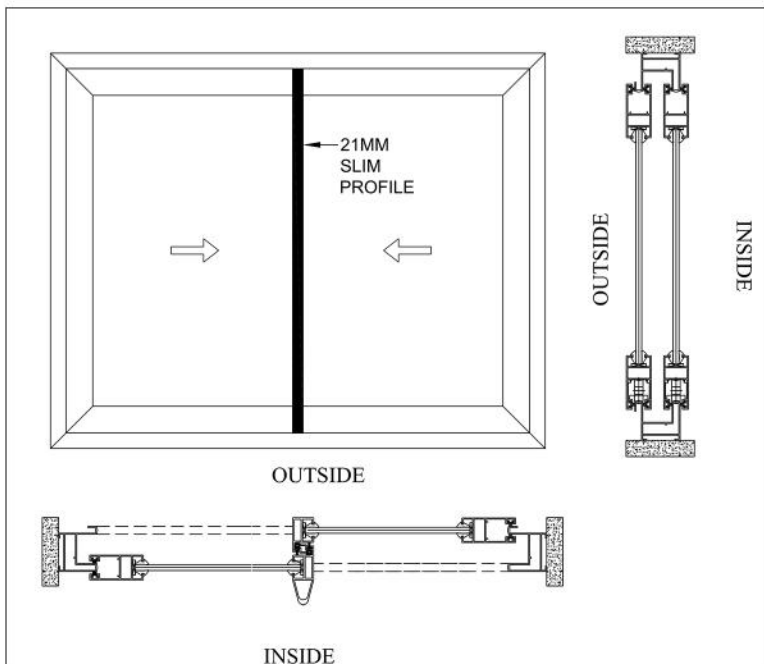

GEETA
GROUP OF COMPANIES

Total solution for the fenestration industry

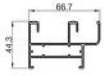
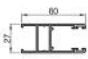
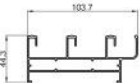

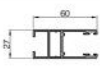

25 x 54 mm SLIM SERIES SECTION

SR NO.	PROFILES DRAWING	CODE	DESCRIPTION	SR NO.	PROFILES DRAWING	CODE	DESCRIPTION
1.		G22554	2 TRACK	4.		GIS255	SLIM INTERLOCK REINFORCEMENT
2.		G32554	3 TRACK	5.		GI2554	SLIM INTERLOCK NON REINFORCEMENT
3.		GS2554	S.G. SHUTTER				

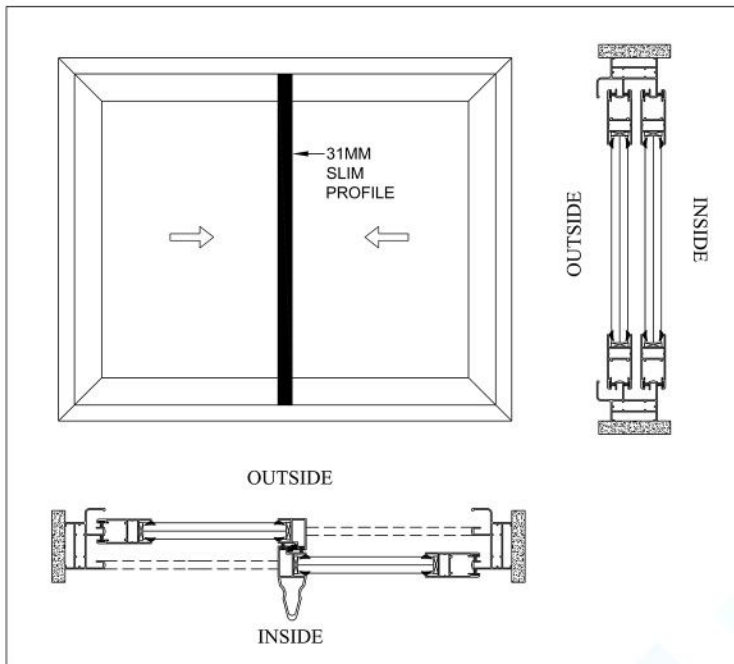
25 x 54 mm ASSEMBLY





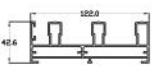
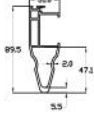
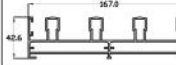

27 x 60 mm SLIM SERIES SECTION

SR NO.	PROFILES DRAWING	CODE	DESCRIPTION	SR NO.	PROFILES DRAWING	CODE	DESCRIPTION
1.		G2F276	2 TRACK	4.		GDS276	D.G. SHUTTER
2.		G3F276	3 TRACK	5.		GIR276	SLIM INTERLOCK REINFORCEMENT
3.		GSS276	S.G. SHUTTER	6.		GIN276	SLIM INTERLOCK NON REINFORCEMENT

27 x 60 mm ASSEMBLY



35 x 75 mm SLIM SERIES SECTION

SR NO.	PROFILES DRAWING	CODE	DESCRIPTION	SR NO.	PROFILES DRAWING	CODE	DESCRIPTION
1.		G235WL	FRAME 2 TRACK WITHOUT LEG	4.		GD357S	D.G SHUTTER
2.		G335WL	FRAME 3 TRACK WITHOUT LEG	5.		GI357S	SLIM INTERLOCK REINFORCEMENT
3.		G435WL	FRAME 4 TRACK WITHOUT LEG	6.		GI357N	SLIM INTERLOCK NON REINFORCEMENT

35 x 75 mm ASSEMBLY

