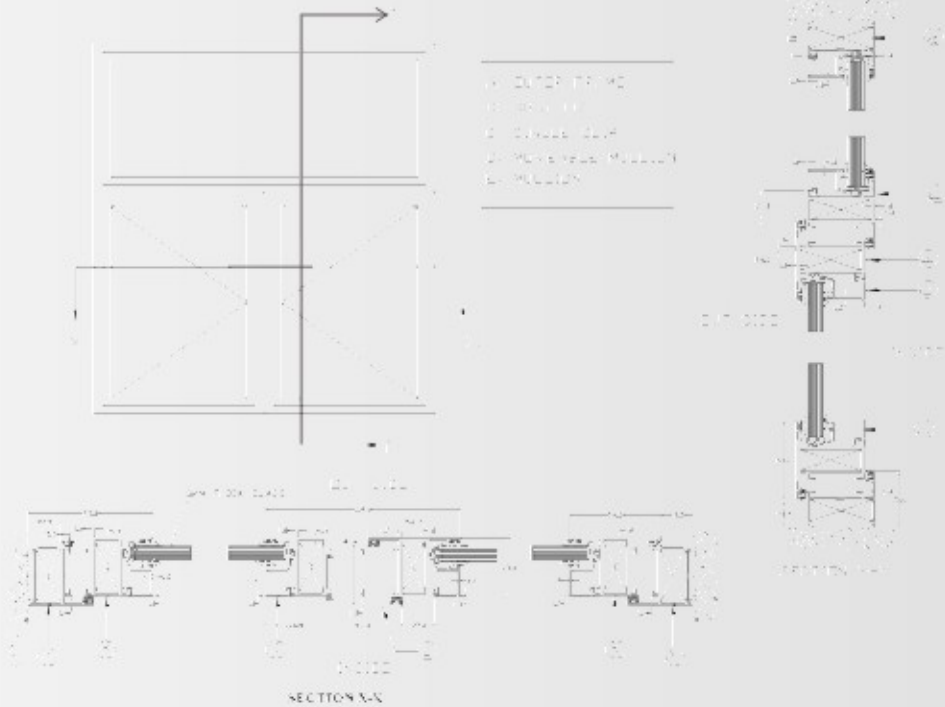
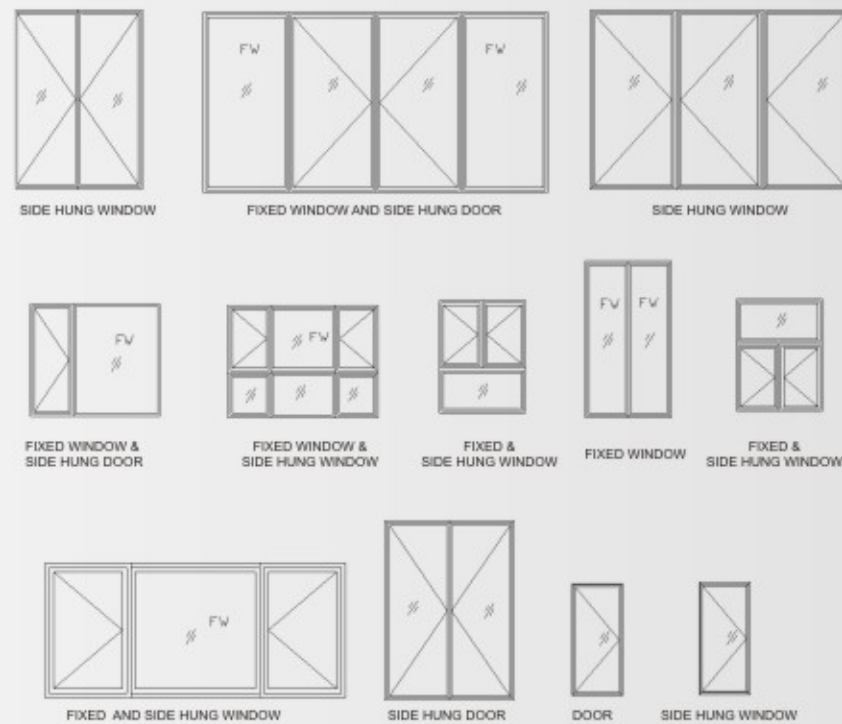


40 MM SERIES FOR DOOR AND WINDOWS  
W-8 FIXED AND SIDE HUNG WINDOW.

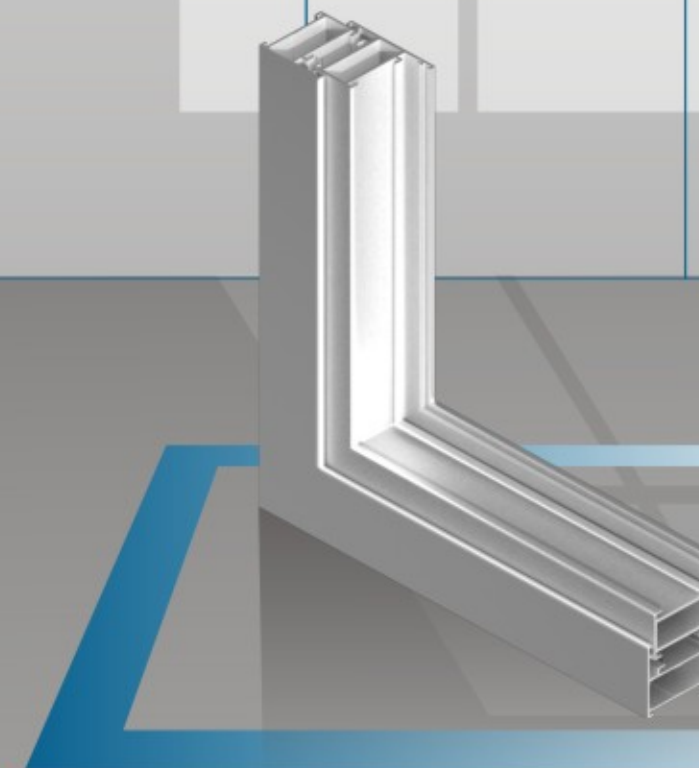
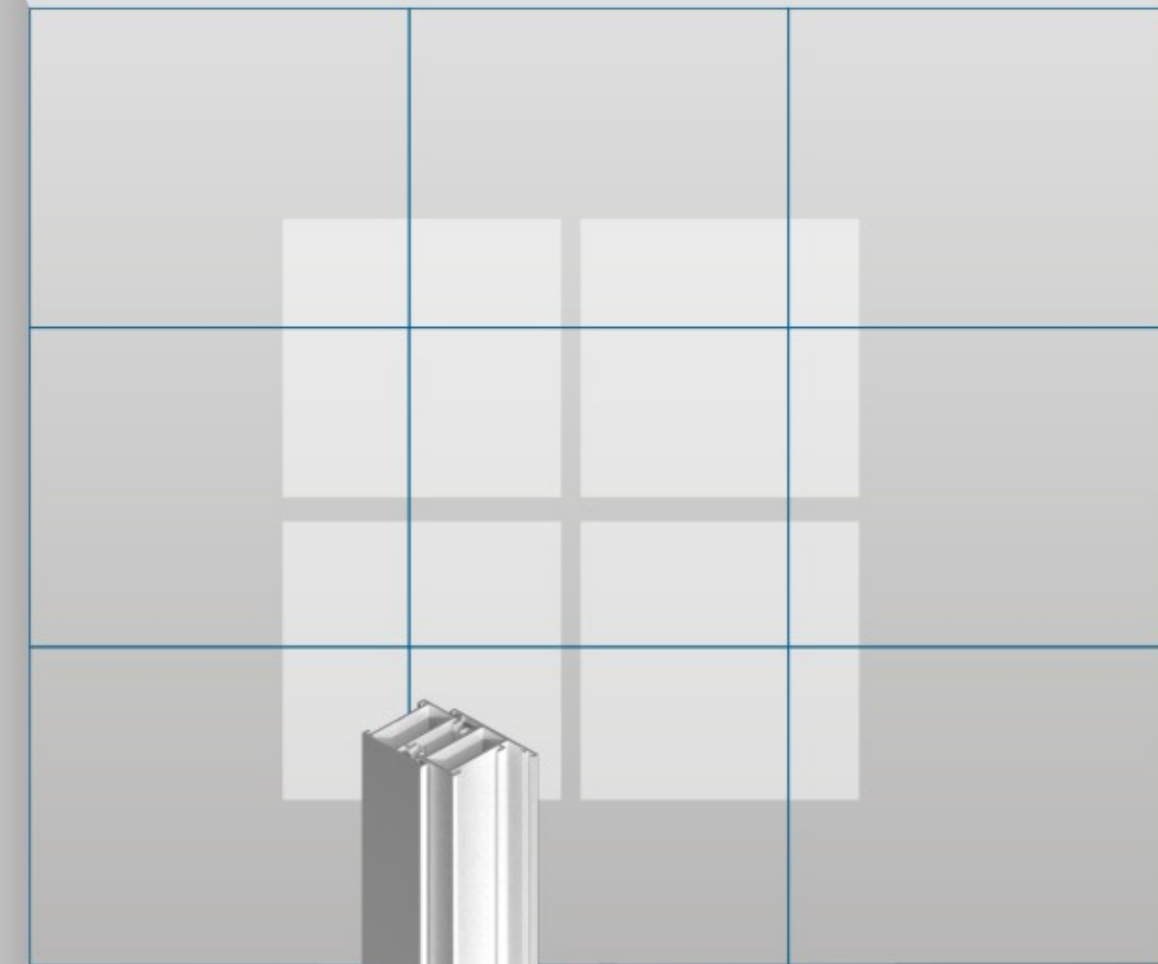


40 MM SERIES ELEVATIONS



- LENGTH :** Unless requested for other exact lengths, material will be supplied in 3658 mm (12 feet) standard length. Tolerance +/- 5mm
- WEIGHT :** The weights kg/m given in catalogue are the nominal weights. In practice, tolerance, alloy and such other factors will affect the final weight and a normal variation of +/- 10% should be expected.
- NOTE :** All the related hardware accessories are available with Geeta Aluminium

# 40mm Series



40mm Openable Series for Doors and Windows

